



ATLANTA

**PP COMPRESSION TYPE
PRESSURE FITTINGS**

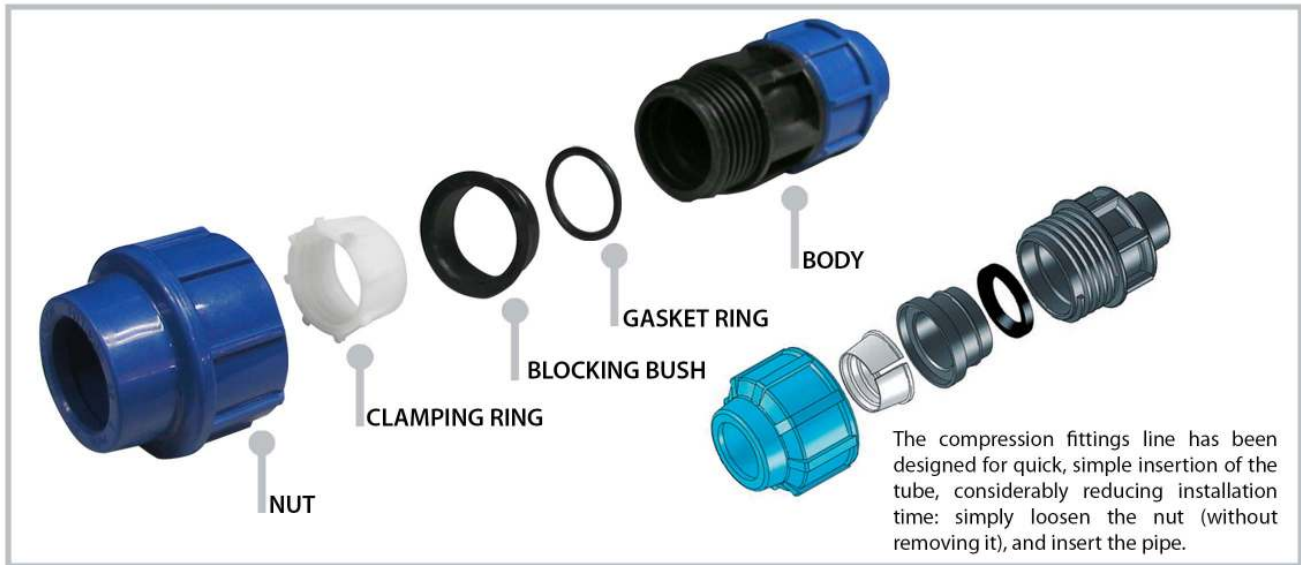


- APPLICATION** : POTABLE WATER MAIN DISTRIBUTION & SERVICE CONNECTION SYSTEM
- STANDARD** : CONFORMING TO ISO R-161
- COLOR** : BLACK w/ BLUE
- MATERIAL** : FORMAL HIGH-GRADE POLYPROPYLENE
- JOINT METHOD** : COMPRESSION TYPE (QUICK JOINT)

WORKING PRESSURE

Allows the maximum working pressure (PN~PFA*) of 16 bar (UNI 9561-2) for diameter from 20 to 63, at the temperature of 20°C. Maximum allowable working pressures related to the duration of pressure and temperature

COMPRESSION FITTING PARTS



PRODUCT RANGE

COUPLING		90° TEE		90° ELBOW		END PLUG	
SIZE (MM)		SIZE (MM)		SIZE (MM)		SIZE (MM)	
20	50	20	50	20	50	20	50
25	63	25	63	25	63	25	63
32	75	32	75	32	75	32	75
40	90	40	90	40	90	40	90
	110		110		110		110


REDUCING COUPLING



SIZE (MM)

25 x 1/2"	63 x 1"
32 x 1/2"	63 x 1 1/4"
32 x 3/4"	63 x 1 1/2"
40 x 3/4"	75 x 1 1/2"
40 x 1"	75 x 2"
50 x 3/4"	90 x 2"
50 x 1"	90 x 2 1/2"
50 x 1 1/4"	110 x 3"

90° REDUCING TEE



SIZE (MM)

25 x 1/2" X 25	63 X 1" X 63
32 X 1/2" X 32	63 X 1 1/4" X 63
32 X 3/4" X 32	63 X 1 1/2" X 63
40 X 3/4" X 40	
40 X 1" X 40	
50 X 3/4" X 50	
50 X 1" X 50	
50 X 1 1/4" X 50	

FEMALE ADAPTOR



SIZE (MM)

20 x 1/2"
20 x 3/4"
20 x 1"
40 x 1 1/4"
50 x 1 1/2"
63 x 2"
75 x 2 1/2"
90 x 3"

MALE ADAPTOR



SIZE (MM)

20 x 1/2"
20 x 3/4"
32 x 1"
40 x 1 1/4"
50 x 1 1/2"
63 x 2"
75 x 2 1/2"
90 x 3"
110 x 4"


FLANGE ADAPTOR



SIZE (MM)

40 x 1 1/2"
50 x 1 1/2"
50 x 2"
63 x 2"
63 x 2 1/2"
75 x 2 1/2"
75 x 3"
90 x 3"
90 x 4"
110 x 4"

CLAMP SADDLE W/ REINFORCE RING



SIZE (MM)

50 x 1/2"	110 x 1/2"	225 x 3/4"
63 x 1/2"	110 x 3/4"	225 x 1"
63 x 3/4"	110 x 1"	225 x 2"
63 x 1"	110 x 1 1/4"	
75 x 1/2"	110 x 2"	
75 x 3/4"	160 x 1/2"	
90 x 1/2"	160 x 3/4"	
90 x 3/4"	160 x 1"	
90 x 1"	160 x 1 1/4"	
90 x 1 1/4"	160 x 2"	

BALL VALVE



SIZE (In.)

1/2"
3/4"
1"
1 1/4"
1 1/2"
2"
2 1/2"
3"
4"


BRASS CUTTER for PVC & PE PIPES



SIZE (MM)

63 - 180

CROSS-SHAPED STAINLESS STEEL WRENCH



SIZE (MM)


CHAIN WRENCH



SIZE (MM)

32 - 110

PIPE CUTTER



SIZE (MM)

16 - 40
32 - 63

ASSEMBLY MANUAL



1. Cut the pipe squarely using pipe cutting tools or circular or band saw. It is advisable to use a guide to ensure a square cut



2. Eliminate any burrs & bevel the end of the pipe to facilitate easy assembly & to prevent damage to the fitting gasket. The outer surface of the pipe must be free from imperfections or indentations where the body of the fitting makes contact with the pipe



3. Unscrew the blue nut & put it onto pipe followed by the white clamping ring. Make sure the clamping ring is in the correct position, with the largest diameter facing the fitting.

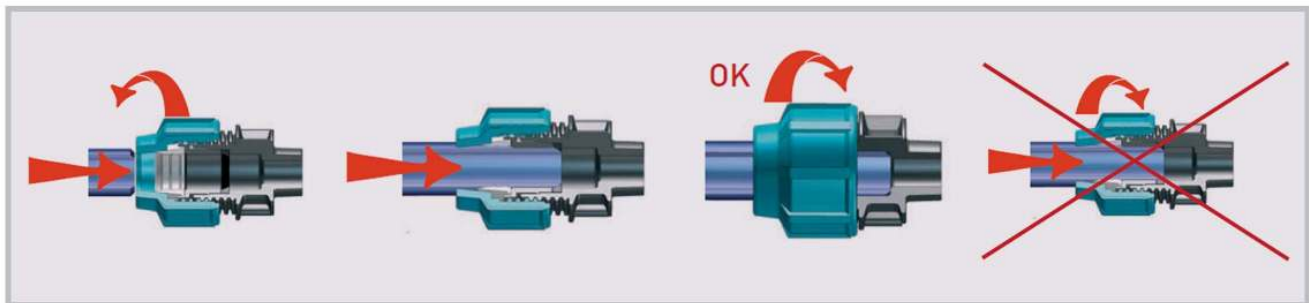


4. Press the pipe axially into the fitting, past the gasket, until it touches the internal register inside.



5. Tighten the ring nut by hand & then use the torque wrench provided. The ring nut must be tight, but it does not need to reach the end of the fitting.

3 EASY STEPS



After loosening the nut, the pipe can be inserted directly to the pipe-stop and then close it.

Atlanta Industries, Inc.

Unit 35th Atlanta Centre #31 Annapost St., Greenhills, San Juan Metro Manila
Tel nos.: 723-0781 to 96 / 744-4700 to 05 Fax nos.: 744-4703 / 723-9576
Website: www.atlanta.ph E-mail: atlanta@atlanta.ph

