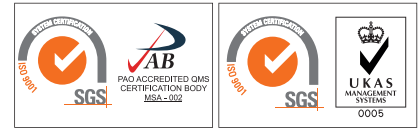




ATLANTA INDUSTRIES, INC.

est. 1978

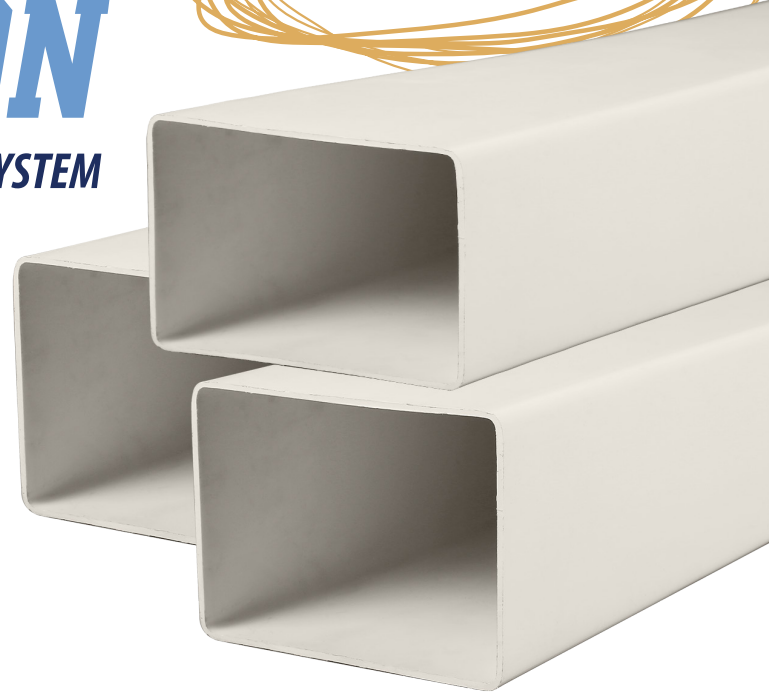


Ver. 07 September 2018
www.atlanta.ph

UV RESISTANT

DURA CON

uPVC RAINWATER GUTTER & DOWNSPOUT SYSTEM



Atlanta Industries, Inc. introduces its improved Gutter and Downspout system made of uPVC which is best for draining rainwater from roofs of houses and factories.

ADVANTAGES

Complete System

Gutter, downspout and full range of accessories including PVC Gutter Bracket and PVC Downspout clamp.

White color is built-in permanently, however it can be painted to any color desired using latex paint.

Clean, smooth and attractive appearance. Concealed brackets preserve the neatness and the clean line of the gutter. The smooth surface contributes to a better water flow.

UV Resistant

The entire system is made from uPVC which incorporates an ultra-violet light inhibitor, formulated to stand up to strong sunlight and resist embrittlement.

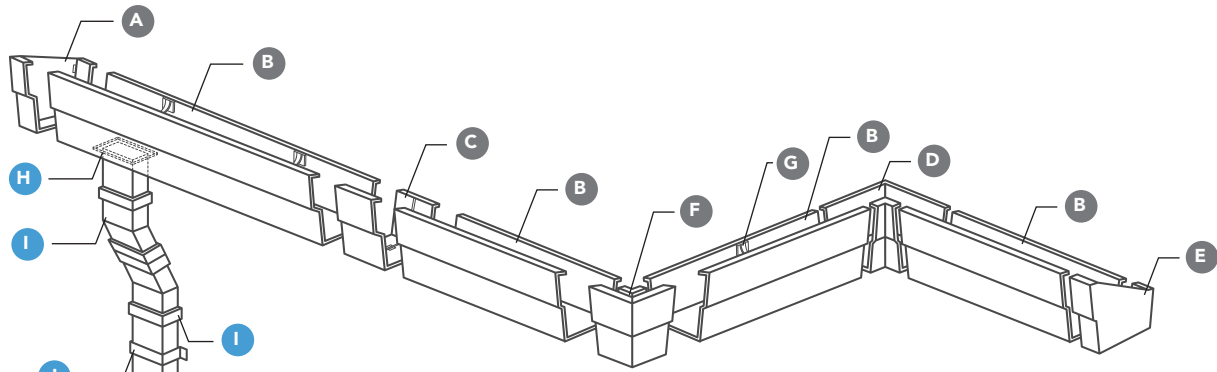
Maintenance Free

The rigid uPVC material will not corrode, chip, rust, blister, peel or wear away.

Easy To Install

It is lightweight and uses basic tools to install the gutter and downspout system.

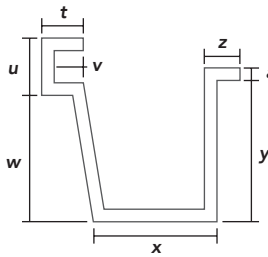
- A. Left End Cap
- B. Gutter Tube
- C. Gutter Connector
- D. Inside Corner
- E. Right End Cap
- F. Outside Corner
- G. Internal Bracket
- H. Dropper Outlet
- I. 100° Elbow SH
- J. Downspout Clamp
- K. Downspout Tube
- L. Downspout Connector
- M. Niple SH
- N. 90° Elbow SH



GUTTER SYSTEM

Gutter		Gutter Connector		Left & Right End Cap		Clamp	
	SIZE		SIZE		SIZE		SIZE
	12" x 8" 18" x 8" 26" x 8"		12" 18" 26"		12" 18" 26"		12" 18" 26"
Inside Corner		Outside Corner		External Bracket		Atlanta Plastic Piping Cement	
	SIZE		SIZE		SIZE		SIZE
	12" 18" 26"		12" 18" 26"		12" 18" 26"		100 cc 200 cc 400 cc

TECHNICAL DIMENSION



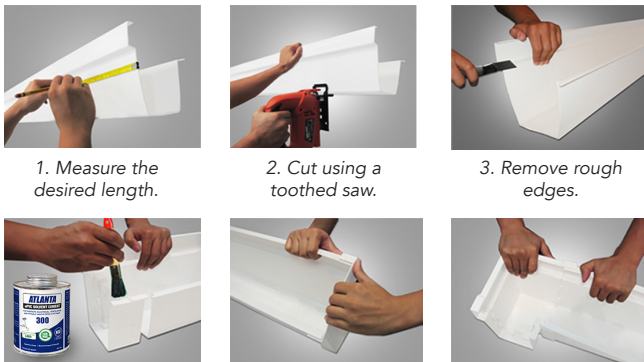
Size (in)	t (mm)	u (mm)	v (mm)	w (mm)
12	14	52	13	77
18	14	48	18	120
26	20	51	28	199

Size (in)	x (mm)	y (mm)	z (mm)	a (mm)
12	79	89	14	1.7
18	100	103	15	1.8
26	157	198	18	2

DOWNSPOUT SYSTEM

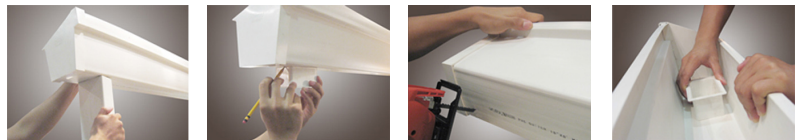
Downspout Tube		Dropper Outlet		90° Elbow SH		100° Elbow SH	
	SIZE		SIZE		SIZE		SIZE
	2-1/2" x 4" x 8" 3" x 4" x 8"		2-1/2" 3"		2-1/2" 3"		2-1/2" 3"
Niple SH		Downspout Connector		Fabricated Downspout Wye		Fabricated Tee	
	SIZE		SIZE		SIZE		SIZE
	2-1/2" x 4" x 2" 2-1/2" x 4" x 3" 2-1/2" x 4" x 4" 3" x 4" x 2" 3" x 4" x 3" 3" x 4" x 4"		2-1/2" 3"		2-1/2" 3"		2-1/2" 3"
Clamp		Dropper Outlet Round		Round to Square Adaptor		Square Round Branch Tee	
	SIZE		SIZE		SIZE		SIZE
	2-1/2" x 4" x 8" 3" x 4" x 8"		2" 3" 4"		2" 3" 4"		2-1/2" 3"

INSTALLATION OF GUTTER AND ACCESSORIES



1. Measure the desired length.
2. Cut using a toothed saw.
3. Remove rough edges.
4. Attach the necessary fitting accessories such as gutter connector, end cap, inside and outside corner gutter using Atlanta Solvent Cement. (Hold assembly for 15 sec. before release.)

INSTALLATION OF DROPPER OUTLET



1. Determine where to place the dropper outlet.
2. Put a mark on the gutter.
3. Cut-off marked portion using a drill or hack saw.
4. Insert dropper outlet & Apply solvent cement and hold the assembly for a min. of 15 sec.

INSTALLATION OF DROPPER OUTLET



1. Install & align internal bracket at a distance.
2. Put a mark on the gutter.

3. Nail or screw the brackets including the gutter to supporting structures such as a fascia board.



35th Flr. Atlanta Center Bldg., No. 31 Annapolis St. Greenhills, San Juan City
 Tel. No.: 723-0781 to 88 | Fax No.: 744-4703 / 584-2997
 Website: www.atlanta.ph Email Sales: marketing@atlanta.ph
 Like Us on Facebook: [atlantaindustriesincorporated](https://www.facebook.com/atlantaindustriesincorporated)
 Subscribe to Our Youtube Channel: Atlanta Industries Inc.

